

CONTRACTORS SHALL VERIFY JOB DIMENSIONS BEFORE ANY JOB COMMENCES.  
 ALL SHOP DRAWINGS SHALL BE SUBMITTED TO THE SUPERVISOR AND MANUFACTURER  
 SHALL NOT COMMENCE PRIOR TO THE RETURN OF UNAPPROVED SHOP DRAWINGS ISSUED  
 BY THE CONSULTANT. THE CONTRACTOR SHALL TAKE PRECEDENCE OVER SCALED THIS  
 DRAWING SHOULD BE READ IN CONJUNCTION WITH ALL RELEVANT CONTRACT SPECIFICATIONS  
 AND DRAWING COPYRIGHT OF THIS DRAWING IS VESTED IN WARDLE.

General Notes

- 18mm E1 MDF CARCASS THROUGHOUT UNLESS OTHERWISE NOTED.
- ALL NON EXPOSED CARCASS TO BE MATCHING LAMINATE UNLESS OTHERWISE NOTED.
- ALL NON EXPOSED CARCASS TO BE BLACK LAMINATE TO JOINERY RECEIVING TIMBER VENEER FINISH. REFER MATERIALS SCHEDULE [ PL-05 ]
- ALL NON EXPOSED CARCASS TO BE WHITE LAMINATE TO JOINERY RECEIVING STAINLESS STEEL CLADDING. REFER MATERIALS SCHEDULE [ PL-01 ]
- ALL EXPOSED EDGES TO TIMBER VENEER PANELS TV-01 TO RECEIVE 3mm THK MATCHING SOLID EDGES. UNLESS OTHERWISE NOTED.
- SPLIT BATTENS TO BE 12mm UNLESS OTHERWISE NOTED.
- APPLY MATCHING LAMINATE ABS EDGING TO LAMINATED BENCHTOPS. UNLESS OTHERWISE NOTED
- REFER TO '1300 - MATERIALS SCHEDULE' FOR A DESCRIPTION OF THE MATERIAL CODES AS SHOWN ON THIS DRAWING. [ T3-00 ]
- REFER TO '1400 - FIXTURES, FITTINGS & EQUIPMENT SCHEDULE' FOR A DESCRIPTION OF THE FF&E CODES AS SHOWN ON THIS DRAWING. [ J2-00 ]
- ALL JOINERY LOCKS TO BE [ JH-02 ] UNLESS OTHERWISE NOTED.
- REFER TO DRAWING ART300 FOR MOUNTING HEIGHTS FOR ALL SERVICES FIXTURES. UNLESS OTHERWISE DIMENSIONED ON THE JOINERY ELEVATIONS.
- ALL CORNER JUNCTIONS TO BE MITRED UNLESS OTHERWISE NOTED.
- ALL UPHOLSTERY STITCHING TOO MATCH FABRIC COLOUR UNLESS OTHERWISE NOTED
- DRAWINGS TO BE READ IN CONJUNCTION WITH ART200 SERIES INTERNAL ARRANGEMENT PLANS TO COORDINATE FIXINGS INTO PARTITIONS WHERE NECESSARY

- FS = FIXED SHELF
- AS = ADJUSTABLE SHELF
- FP = FIXED PANEL
- PJ = PANEL JOIN. MAXIMUM WIDTH 2mm
- C.O.S = CHECK ON SITE - DIMENSIONS MUST BE VERIFIED ON SITE BY CONTRACTOR PRIOR TO COMMENCEMENT OF CONSTRUCTION.
- NOM. = NOMINAL
- TYP. = TYPICAL
- SM. = SIMILAR
- MIRR. = MIRROR
- FCL = FINISHED CEILING LEVEL
- FFL = FINISHED FLOOR LEVEL
- SSL = STRUCTURAL SLAB LEVEL
- ⊕ = CENTRELINE
- ↻ = DIRECTION OF GRAIN / LINISH

Rev	Issue	Revision Description	And	Date
E	SG	UPDATES AS CLOUDED	-	28.04.14
D	SG	UPDATES AS CLOUDED	-	14.04.14
C	SG	UPDATES AS CLOUDED	-	11.04.14
B	SG	UPDATES AS CLOUDED	-	04.03.14
A	SG	ISSUE FOR CONSTRUCTION DRAWING ID REVISED	-	18.12.13
08	SG	100% CD - TENDER ISSUE	-	07.09.12
07	SG	90% CD ISSUE	-	10.08.12
06	SG	75% CD ISSUE	-	13.07.12
05	SG	50% CD ISSUE	-	01.06.12
04	SG	25% CD ISSUE	-	20.04.12
03	SG	FINAL DO ISSUE	-	24.02.12
02	SG	GEOMETRY & LAYOUT CHANGED	-	20.01.12
01	SG	DESIGN DEVELOPMENT ISSUE	-	22.12.11



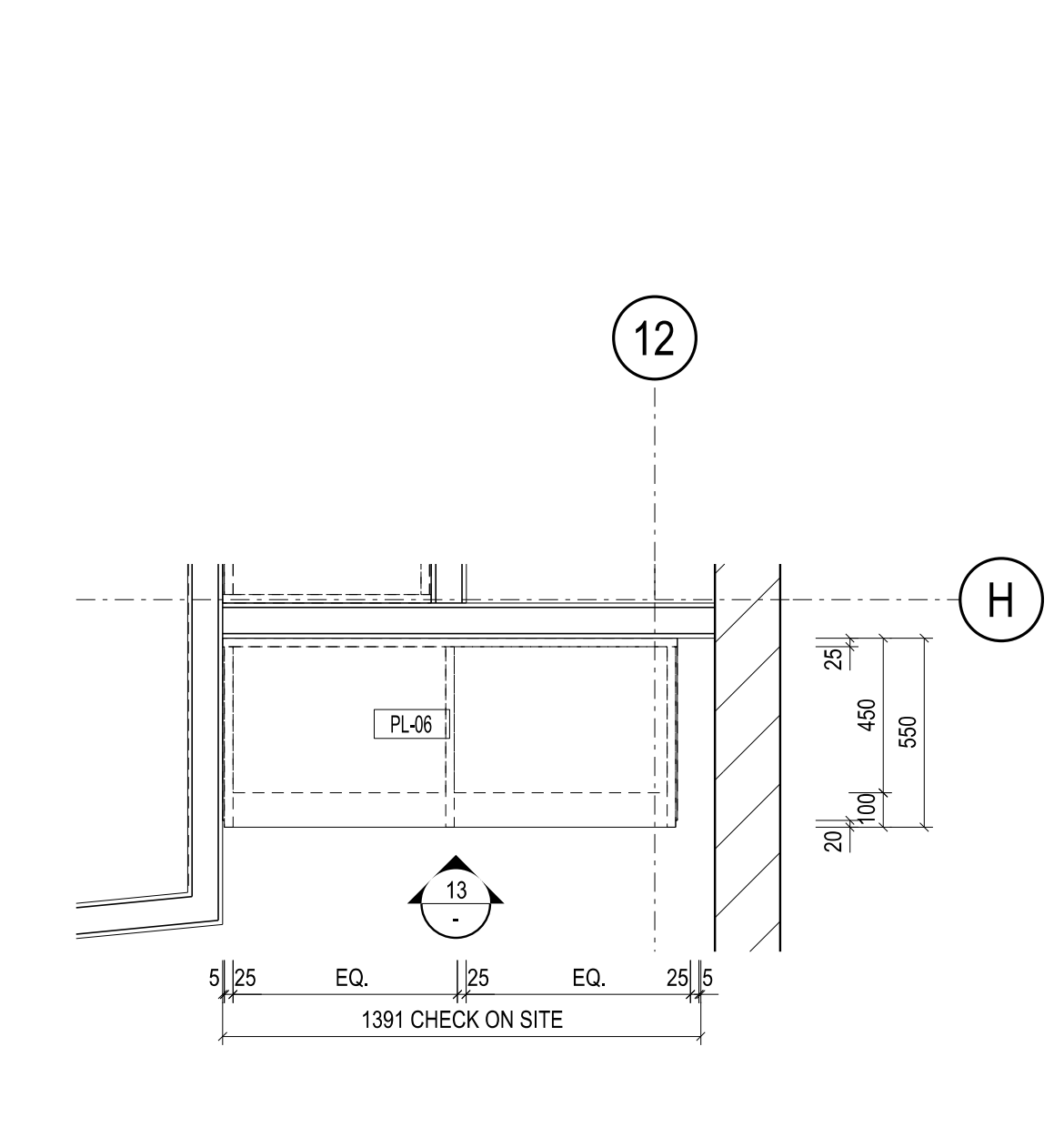
**NADAAA**  
 Telephone: +1 617 442 6232  
 Street No.2: Boston, Massachusetts 02119 USA  
 Facsimile: +1 888 442 1417  
 Email: nad@nadaaa.com  
 nad@nadaaa.com

**John Wardle Architects**  
 25 Rokeby Street, Collingwood, Victoria 3066 Australia  
 Tel: +61 3 8662 0400 www.johnwardlearchitects.com  
 © 2014 John Wardle Architects ABN 63 006 814 268

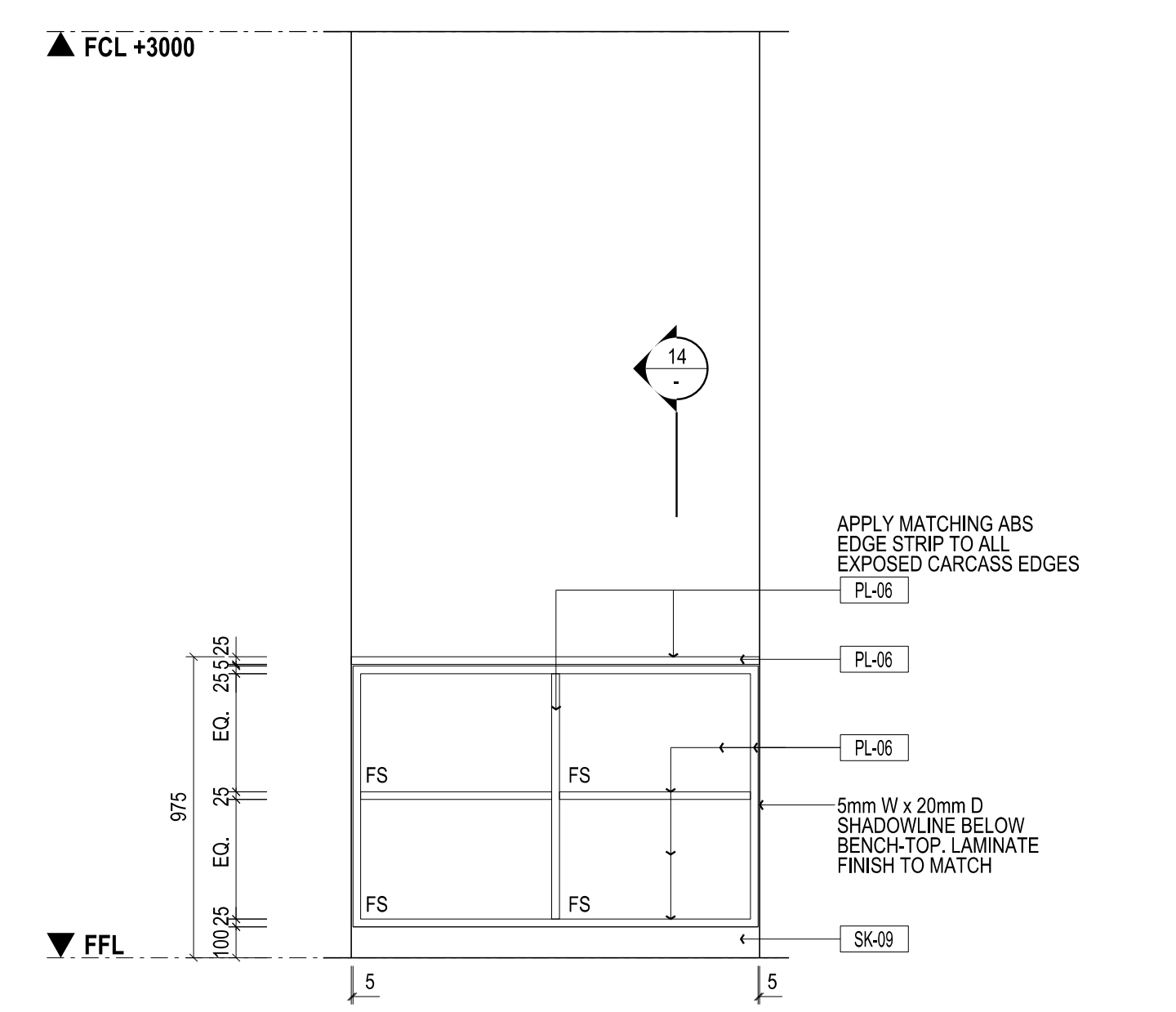
Client: University of Melbourne  
 Parkville Campus  
 Project: Faculty of Architecture Building and Planning  
 Title: JOINERY DETAILS B01 AND G01 LIBRARY

Project No.	0913	Scale	1:20 @ A0 1:40 @ A2
Drawing No.	AR8155	Revision	E
Date	Dec 2011	Drawn	KW
Co-Ord	SG	Chk	JA

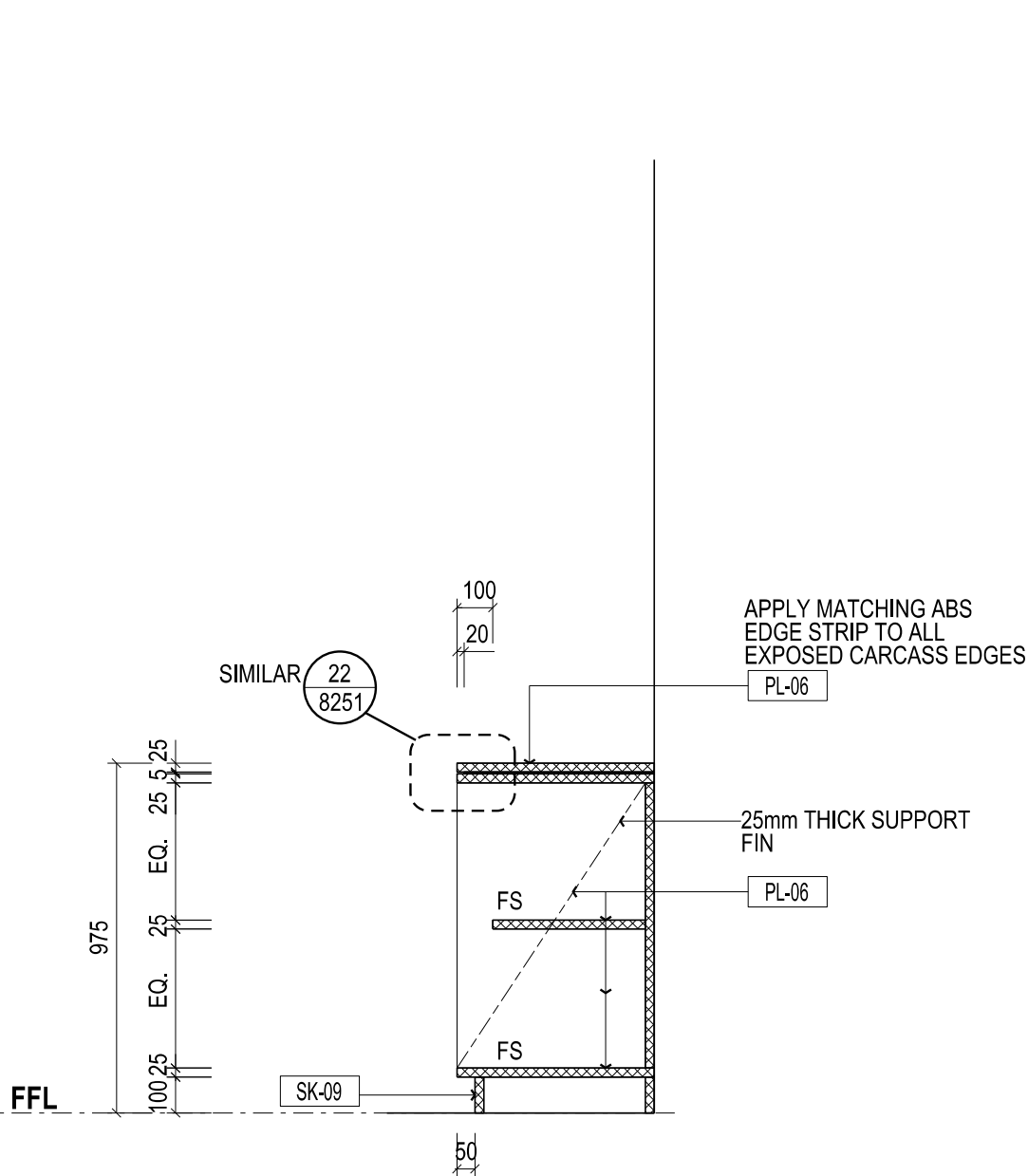
**FOR CONSTRUCTION**



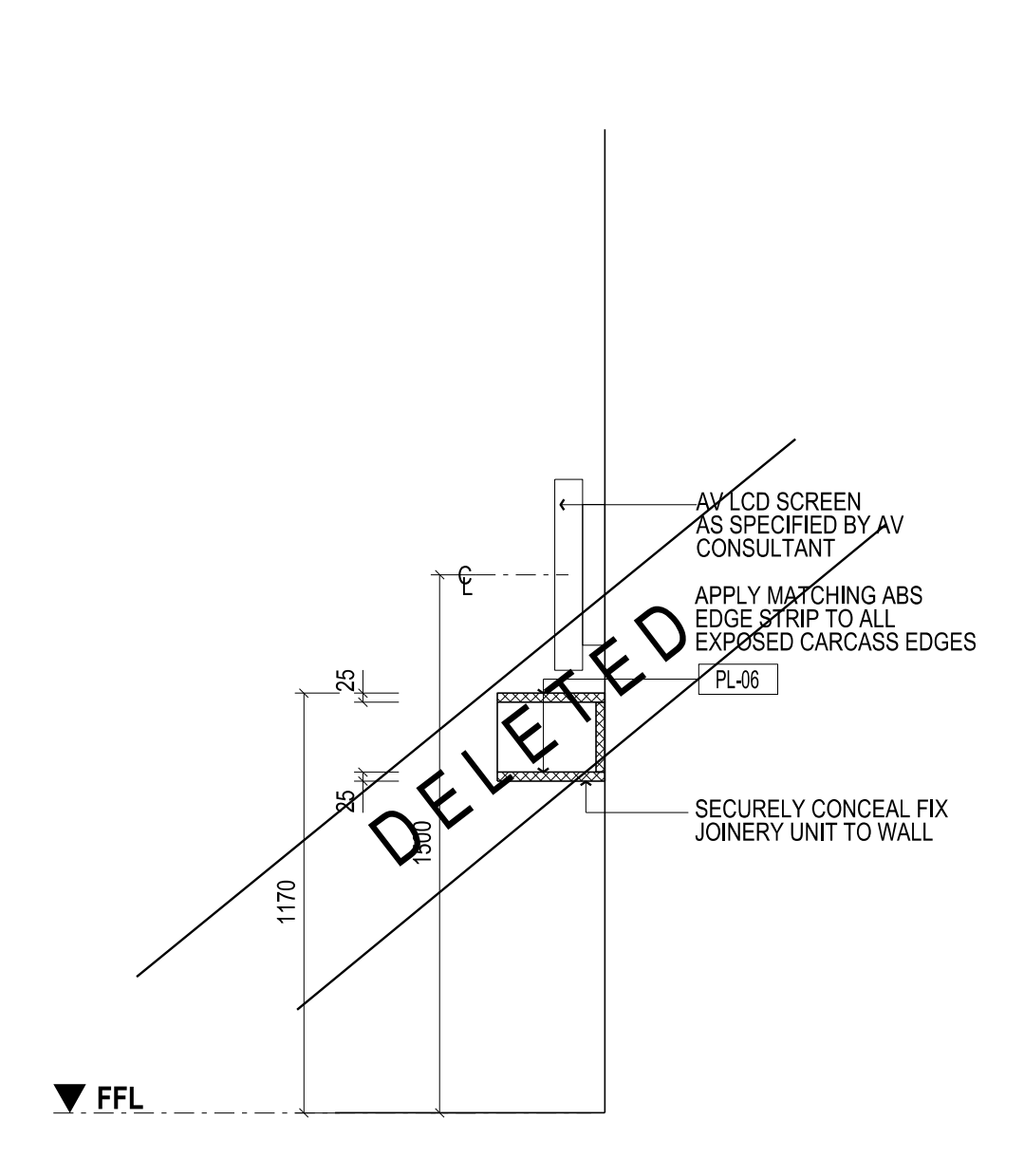
PLAN - JOG-19  
 BAG STORAGE  
 SCALE 1:20



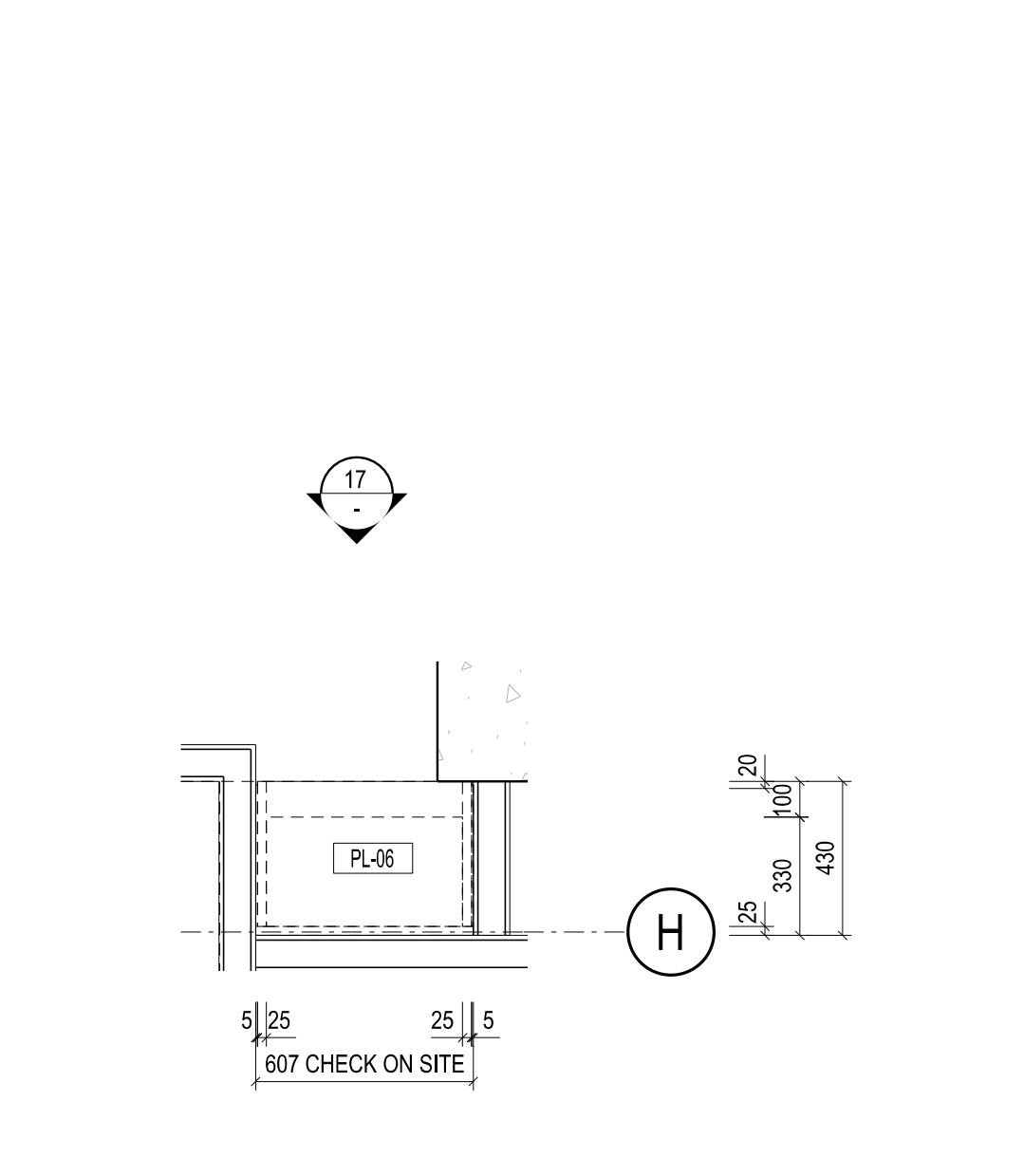
ELEVATION - JOB-19  
 BAG STORAGE  
 SCALE 1:20



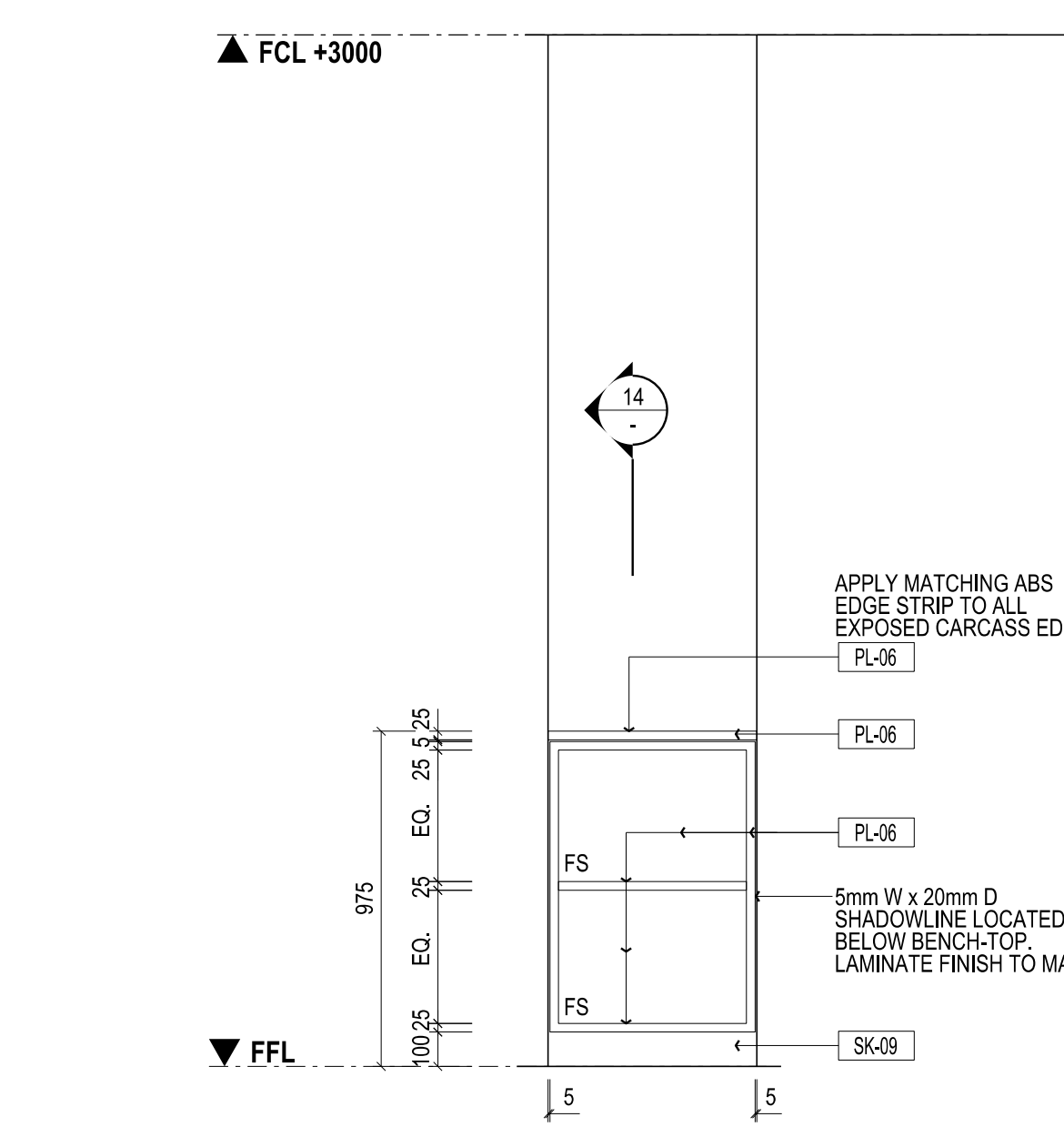
TYPICAL SECTION - JOB-19 & JOB-44  
 BAG STORAGE  
 SCALE 1:20



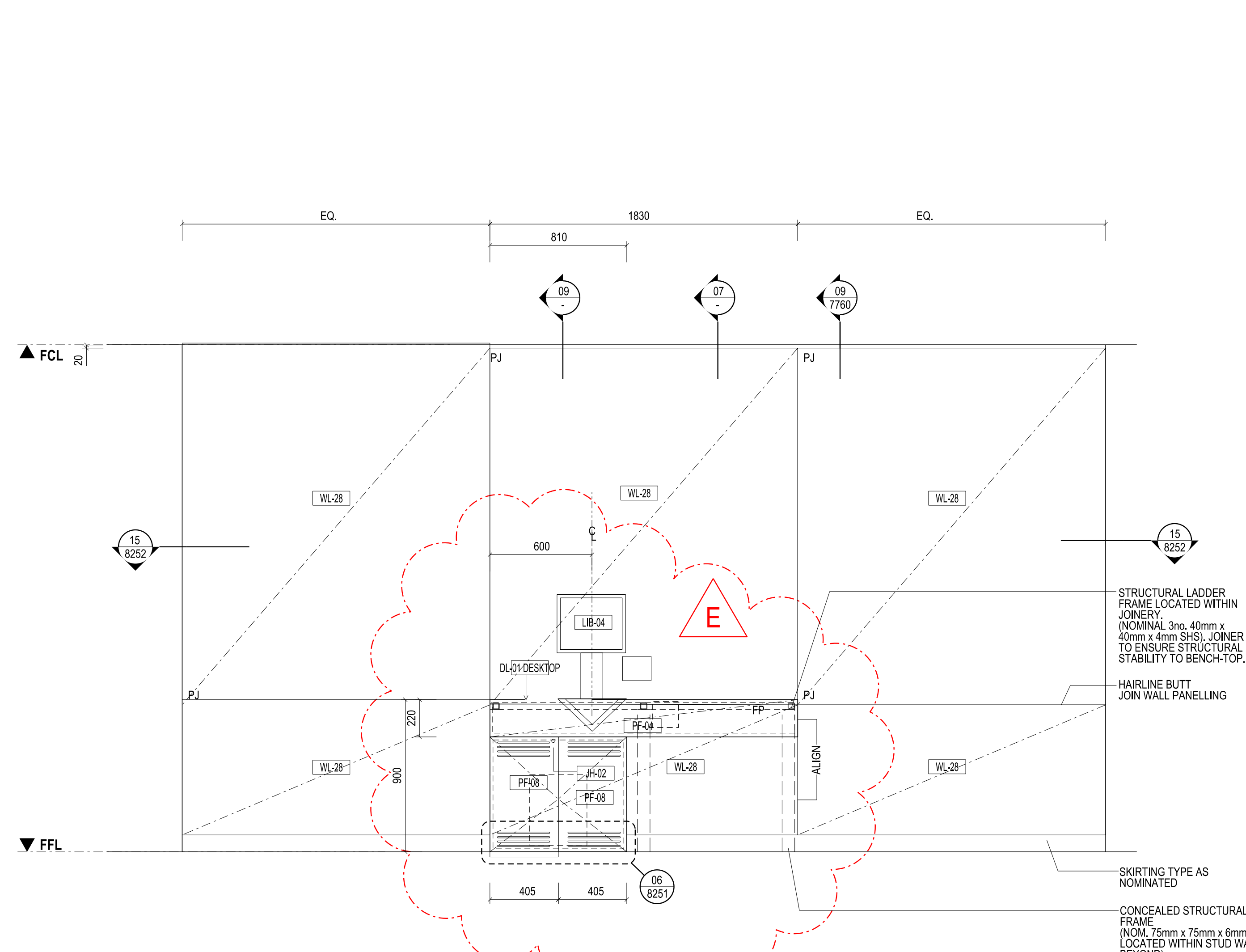
TYPICAL SECTION - JOG-18, 20, 46 & 47  
 A.V. UNIT TO PROJECT ROOMS  
 SCALE 1:20



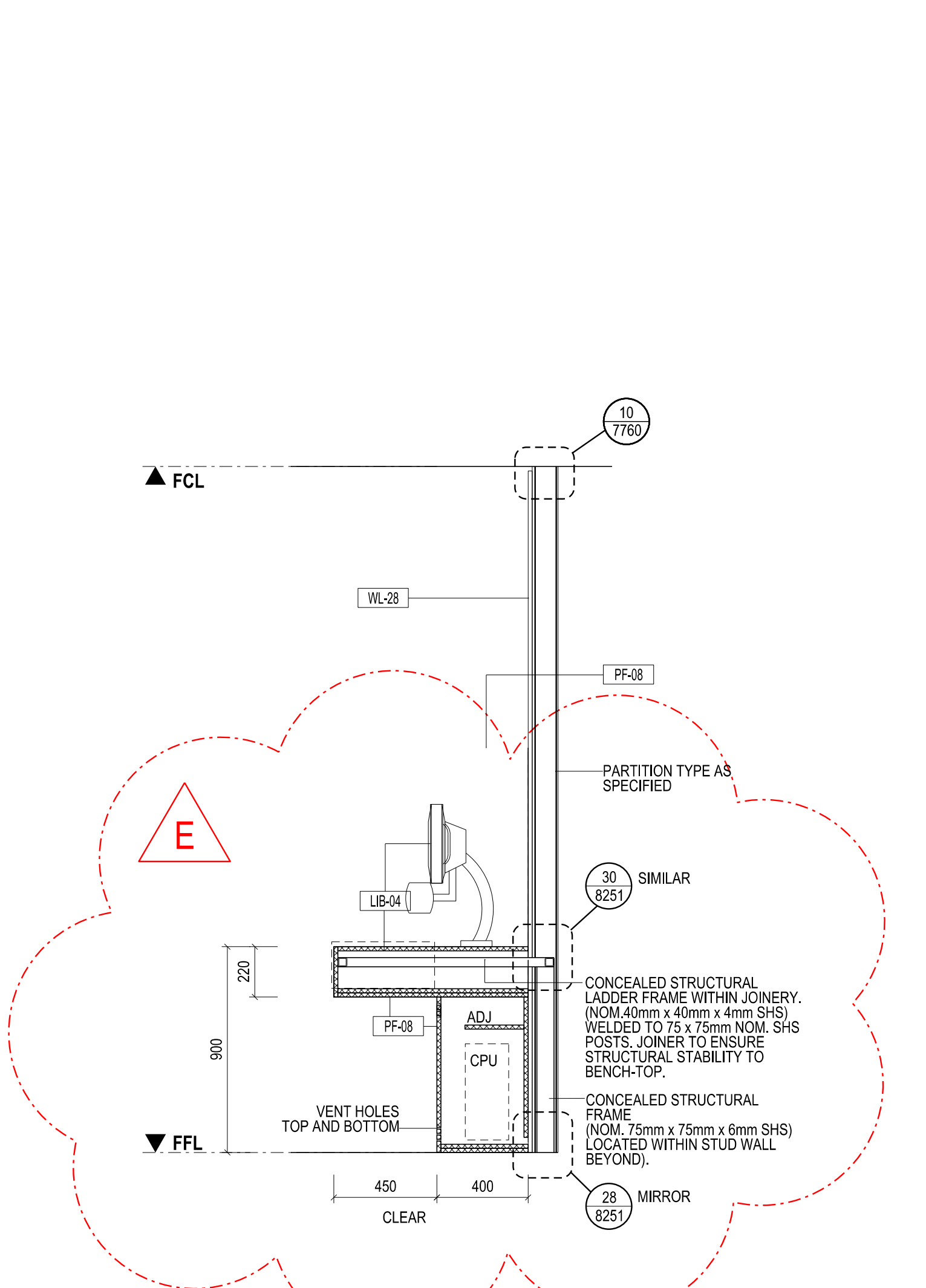
PLAN - JOG-44  
 BAG STORAGE  
 SCALE 1:20



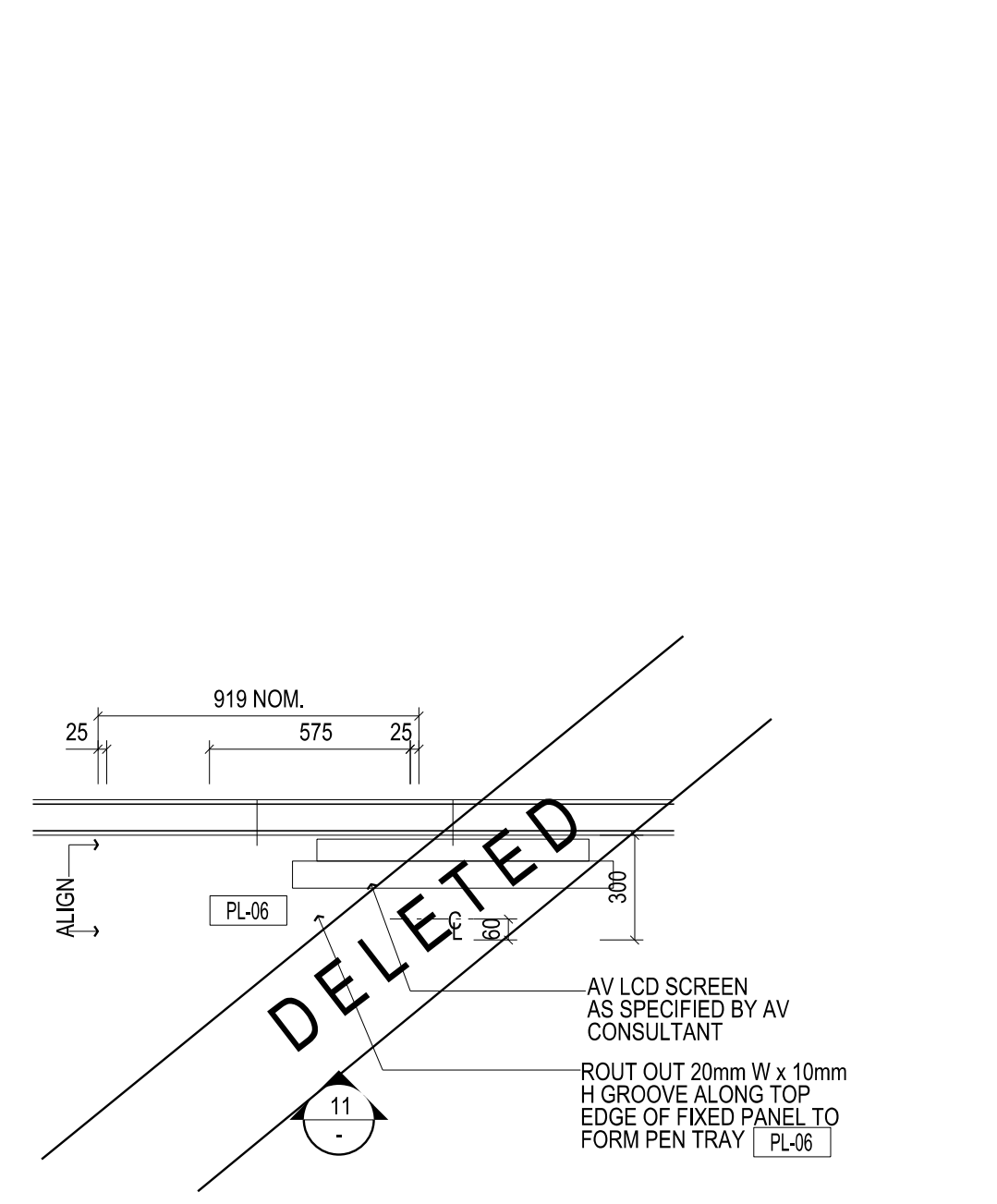
ELEVATION - JOG-44  
 BAG STORAGE  
 SCALE 1:20



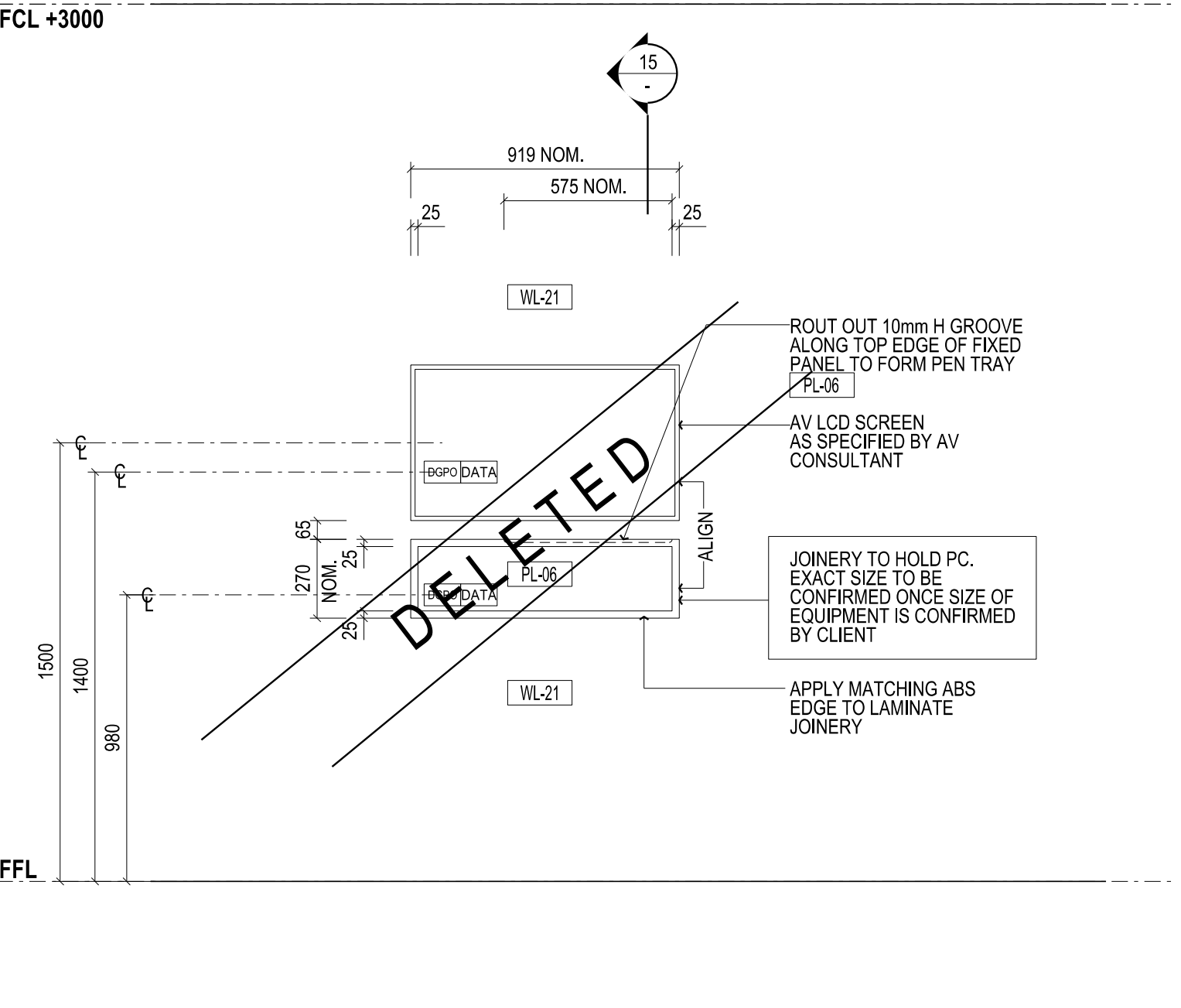
ELEVATION - JOG-13  
 SELF-CHECK UNIT - HIGH USE COLLECTION  
 SCALE 1:20



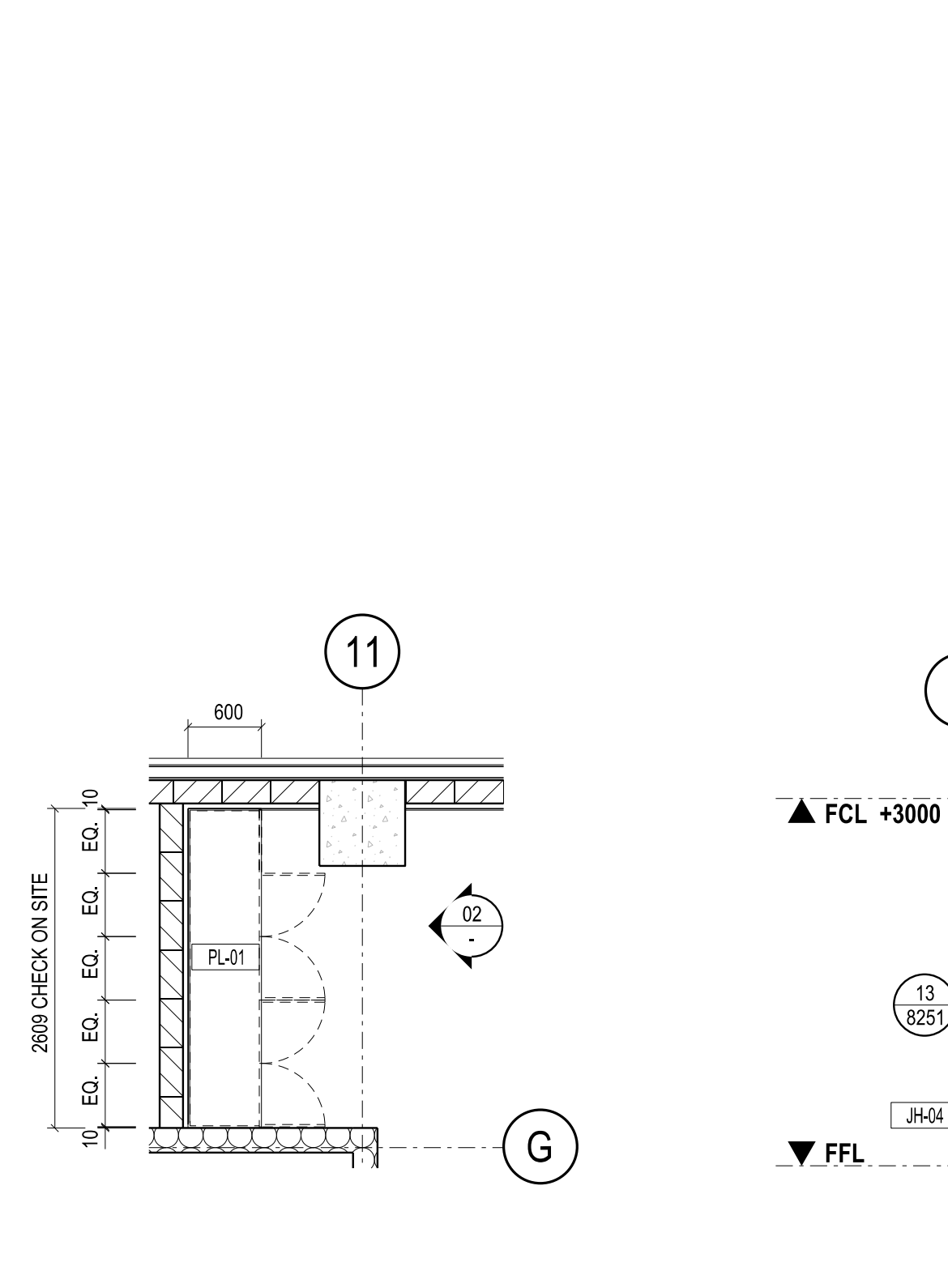
SECTION - JOG-13  
 SELF-CHECK UNIT - HIGH USE COLLECTION  
 SCALE 1:20



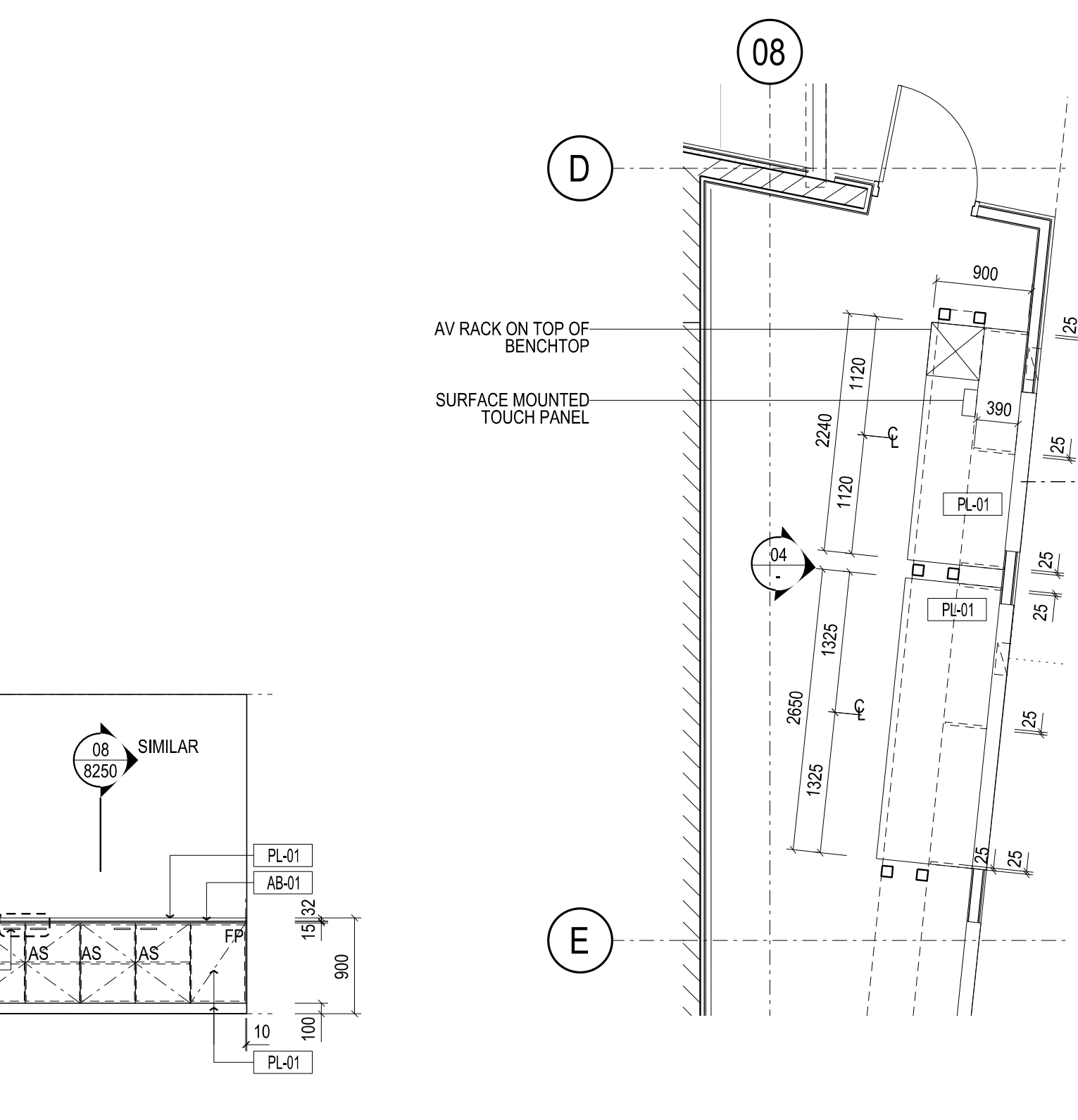
PLAN - JOG-18, 20, 46 & 47  
 A.V. UNIT TO PROJECT ROOMS  
 SCALE 1:20



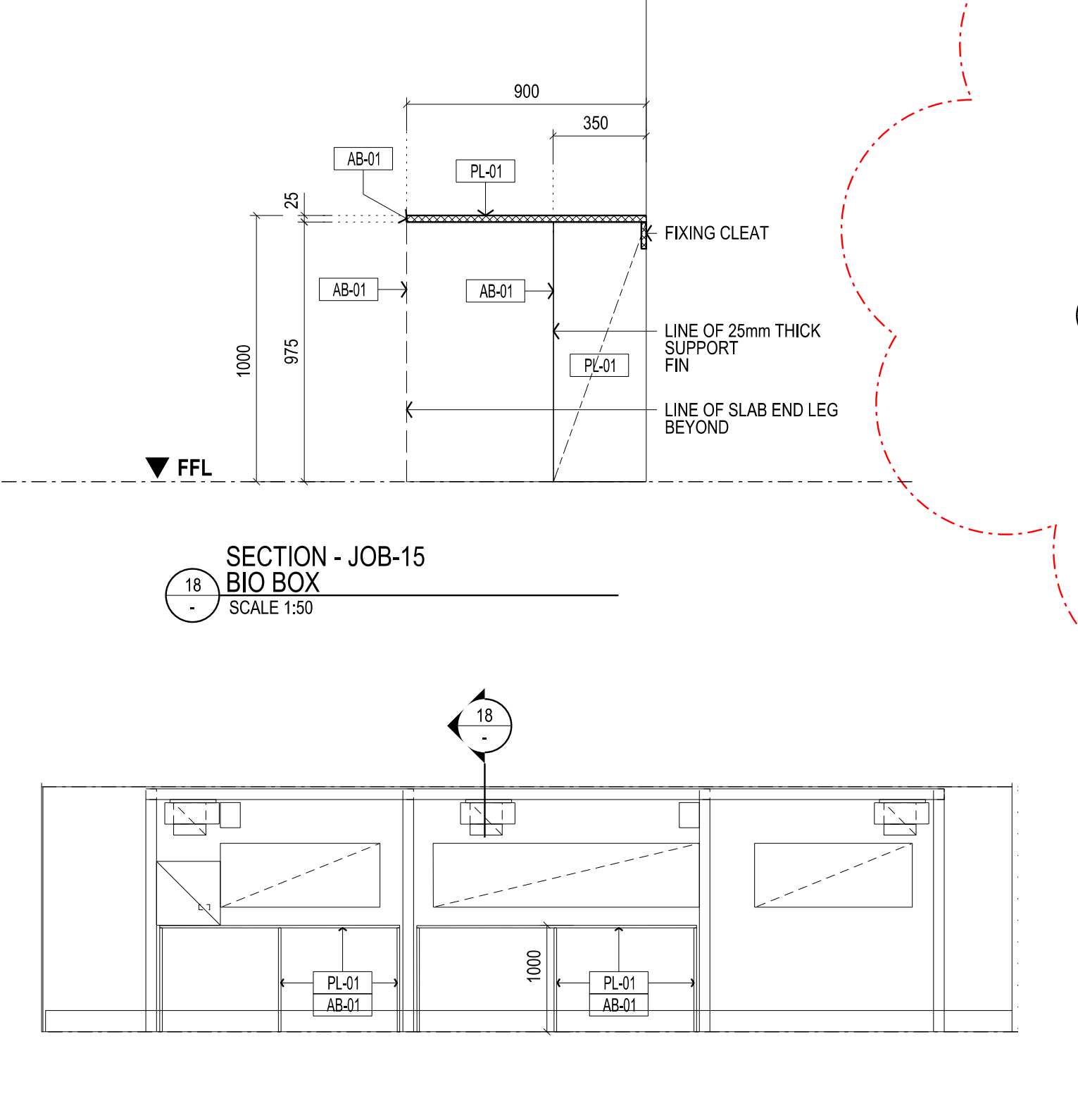
ELEVATION - JOG-18, 20, 46 & 47  
 A.V. UNIT TO PROJECT ROOMS  
 SCALE 1:20



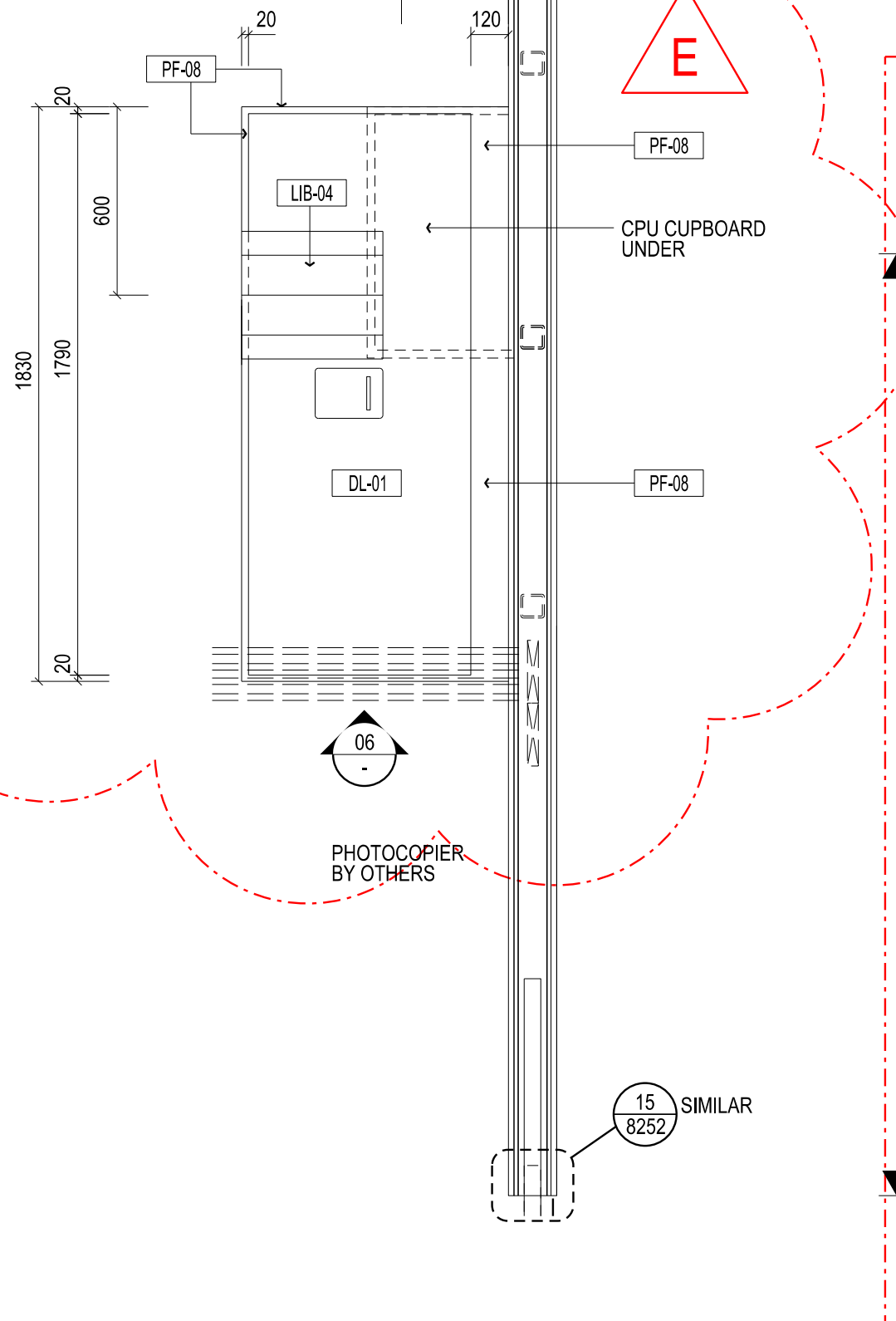
PLAN - JOB-16  
 LIBRARY MEETING ROOM CRENDENZA  
 SCALE 1:50



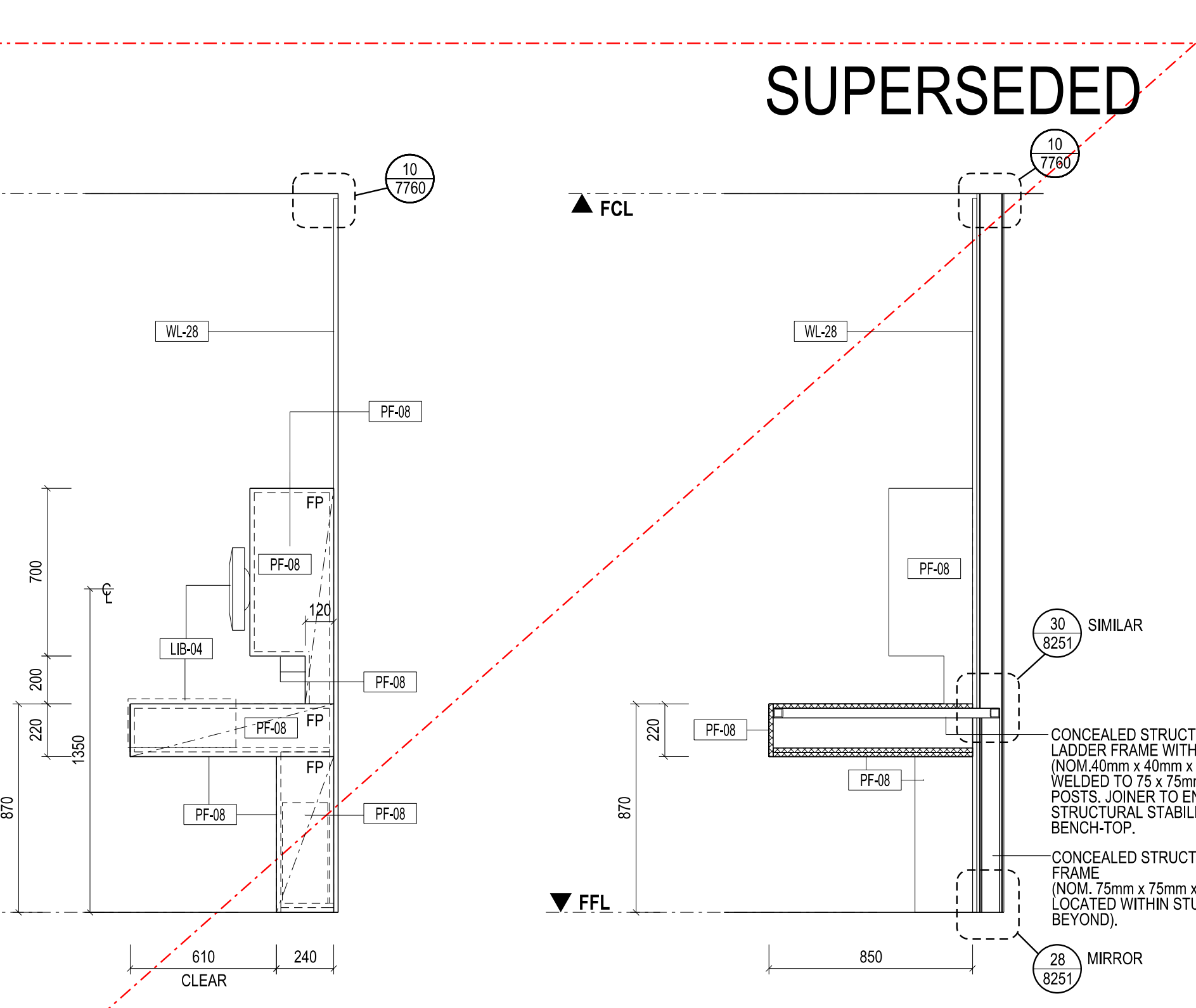
ELEVATION - JOB-16  
 LIBRARY MEETING ROOM CRENDENZA  
 SCALE 1:50



SECTION - JOB-15  
 BIO BOX  
 SCALE 1:50



PLAN - JOG-13  
 SELF-CHECK UNIT - HIGH USE COLLECTION  
 SCALE 1:20



ELEVATION - JOG-13  
 SELF-CHECK UNIT - HIGH USE COLLECTION  
 SCALE 1:20

**FOR CONSTRUCTION**